

- Press START to turn on the controller.
- Press and hold START for 3 seconds to turn off the controller.
- Press and hold START for 8 seconds to force turn off the controller.

Bluetooth Connection

Switch

1. Press START+Y to turn on the controller, LEDs will start to rotate from left to right.
 2. Press and hold PAIR for 2 seconds to enter pairing mode. LEDs will turn off for a second then start to rotate from left to right.
 3. Go to your Switch Home Page to click on Controllers, then click on Change Grip/Order and wait for controller to sync up. LED will become solid when connection is successful.
 4. Controller will auto reconnect to your Switch with the press of START once it has been paired
- STAR button = Switch screenshot button, Home button = Switch HOME button.

Android

1. Press START+B to turn on the controller, LED 1 will start to blink.
 2. Press and hold PAIR for 3 seconds to enter pairing mode. LED will rotate from left to right.
 3. Go to your Android device's Bluetooth setting, pair with [8Bitdo SF30 Pro] or [8Bitdo SN30 Pro]. LED will become solid when connection is successful.
 4. Controller will auto reconnect to your Android device with the press of START once it has been paired.
- USB Connection: connect the controller to your Android device via USB Cable after step 1.

Windows

1. Press START+X to turn on the controller, LEDs 1, 2 will start to blink.
 2. Press and hold PAIR for 3 seconds to enter pairing mode. LEDs will rotate from left to right.
 3. Go to your Windows device's Bluetooth setting, pair with [8Bitdo SF30 Pro] or [8Bitdo SN30 Pro]. LED will become solid when connection is successful.
 4. Controller will auto reconnect to your Windows device with the press of START once it has been paired.
- USB Connection: connect the controller to your Windows device via USB Cable after step 1.

macOS

1. Press and hold START+A for 1 second to power on the controller, LEDs 1,2,3 will start to blink.
 2. Press and hold PAIR for 3 seconds to enter pairing mode. LEDs will rotate from left to right.
 3. Go to your macOS device's Bluetooth setting, pair with [Wireless Controller]. LED will become solid when connection is successful.
 4. Controller will auto reconnect to your Windows device with the press of START once it has been paired.
- USB Connection: connect the controller to your macOS device via USB Cable after step 1.

Turbo function

1. Hold the button you would like to set turbo functionality to and then press the STAR button to activate turbo functionality.
 2. HOME LED will blink when turbo functionality has been applied successfully.
 3. All buttons with Turbo functionality activated will cause the HOME LED to blink, showing you that Turbo functionality is active on that button.
 4. To deactivate turbo function, hold the button with turbo functionality activated press the STAR button to deactivate turbo functionality. The HOME LED will no longer blink if you have successfully disabled turbo functionality.
- Analog sticks are not included.
 - This does not apply to Switch.

Battery

Status	LED Indicator
Low battery mode	POWER LED blinks
Battery charging	POWER LED stays solid
Battery fully charged	POWER LED turns off

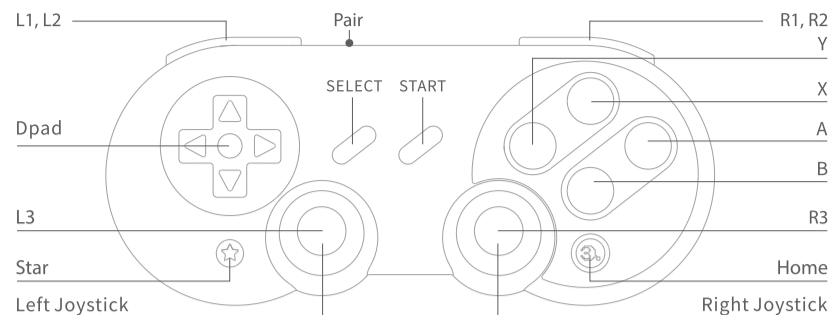
- Built-in 480mAh Li-on with 16 Hours of play time.
- Rechargeable via its USB-C cable with 1 – 2 hour charging time.
- Battery charging time might vary depending on the environment the controller is exposed to.

Power Saving

1. Sleep mode - 1 minute with no Bluetooth connection.
2. Sleep mode - 15 minutes with Bluetooth connection but no use.
3. Press START to wake up your controller.

Support and firmware upgrade

- Please visit <http://support.8bitdo.com> for further information and additional support.



- * 开机: 按 START 键。
- * 关机: 按住 START 键 3 秒。
- * 按住 [START] 键 8 秒可强制关机。

蓝牙连接

Switch

1. 按 [START+Y] 键开启手柄, 指示灯滚动闪烁。
 2. 按住 [PAIR] 键 2秒, 指示灯熄灭1秒后继续滚动闪烁, 手柄进入配对状态。
 3. 打开 Switch 主机 Controllers 设置, 进入 Change Grip/Order 界面, 等待手柄连接, 连接成功后指示灯常亮。
 4. 成功配对后, 下次使用按START键可自动连接。
- * 星号键功能为 Switch 截图键, HOME 键功能为 Switch HOME 键

Android

1. 按住 [START+B] 键开启手柄, 1 号指示灯闪烁。
 2. 按住 [PAIR] 键 3 秒进入配对状态, 指示灯滚动闪烁。
 3. 打开Android设备蓝牙, 搜索 [8Bitdo SF30 Pro] 或 [8Bitdo SN30 Pro] 设备, 点击连接, 连接成功后指示灯常亮。
 4. 成功配对后, 下次使用按START键可自动连接。
- * USB 有线连接: 请在第 1 步开启手柄之后, 用 USB 线连接设备。

Windows

1. 按住 [START+X] 键 1 秒开启手柄, 1、2 号指示灯同时闪烁。
 2. 按住 [PAIR] 键 3 秒进入配对状态, 指示灯滚动闪烁。
 3. 打开Windows 设备蓝牙, 搜索 [8Bitdo SF30 Pro] 或 [8Bitdo SN30 Pro] 设备, 点击连接, 连接成功后指示灯常亮。
 4. 成功配对后, 下次使用按START键可自动连接。
- * USB 有线连接: 请在第 1 步开启手柄之后, 用 USB 线连接设备。

macOS

1. 按住 [START +A] 键 1 秒开启手柄, 1、2、3 号指示灯同时闪烁。
 2. 按住 [PAIR] 键 3 秒进入配对状态, 指示灯滚动闪烁。
 3. 打开 macOS 设备蓝牙, 搜索 [Wireless Controller] 设备, 点击连接, 连接成功后指示灯常亮。
 4. 成功配对后, 下次使用按START键可自动连接。
- * USB 有线连接: 请在第 1 步开启手柄之后, 用 USB 线连接设备。

T Turbo 连发功能

1. 按住需要设置连发的功能键, 再按下星号键可开启按键的连发功能。
 2. 连发功能启动后, HOME指示灯会闪烁。
 3. 在按下没有连发功能的按键时, HOME指示灯会闪烁, 提醒用户此键已设有连发功能。
 4. 如果需要关闭按键的连发功能, 按住需要设置连发的功能键, 再按下星号键便可关闭其连发功能。
- * 左、右摇杆与方向键不支持连发。
 - * 连接 Switch 时不可用。

电池

电量状态	显示灯状态
低电量	电源指示灯闪烁
充电中	电源指示灯常亮
充电完成	电源指示灯熄灭

- * 内置 480mAh 锂电池, 可持续使用约 16 小时。
- * 可使用配备的 USB-C 线进行充电, 充电时间约 1~2 小时, 充电完成后电源指示灯熄灭。
- * 充电时长及续航时间可能受环境因素影响会有所不同。

自动休眠

- * 开机后 1 分钟内无连接或连接后 15 分钟无操作会自动休眠。
- * 使用时按 START 键唤醒可自动连接。

固件升级

- * 请访问 support.8bitdo.cn 了解详细信息。